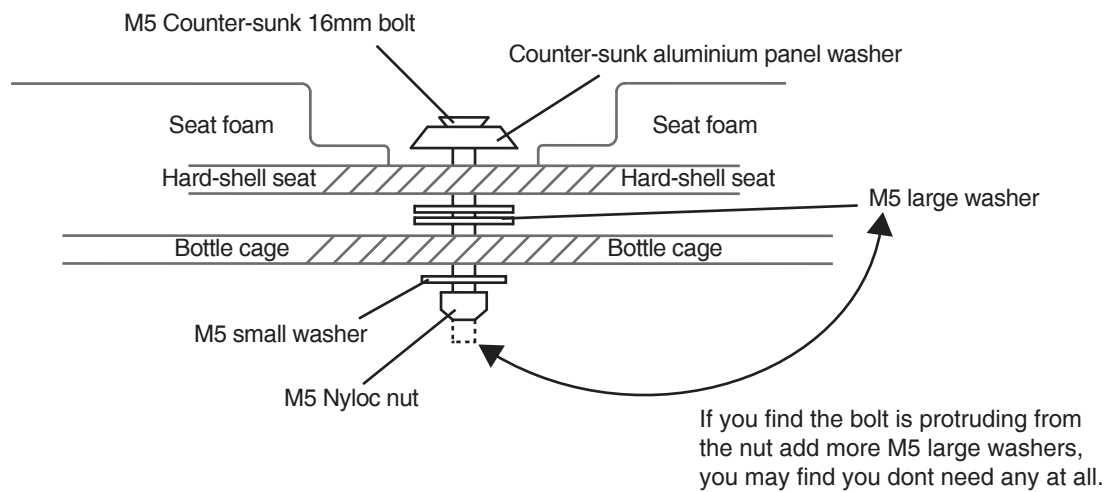


# Fitting a Bottle Cage to a Hard-Shell Seat

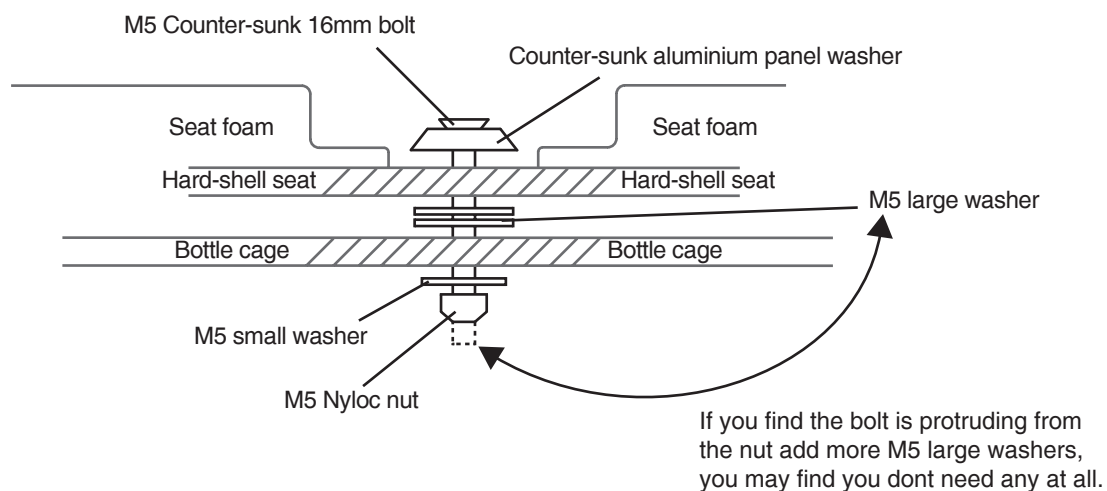


Version:



Inspired Cycle Engineering Ltd • [www.icetrikes.co](http://www.icetrikes.co) • [info@icetrikes.co](mailto:info@icetrikes.co) • Tel: +44 (0) 1326 378848

# Fitting a Bottle Cage to a Hard-Shell Seat



Inspired Cycle Engineering Ltd • [www.icetrikes.co](http://www.icetrikes.co) • [info@icetrikes.co](mailto:info@icetrikes.co) • Tel: +44 (0) 1326 378848  
©ICE 2014 Version:1/14