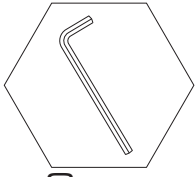


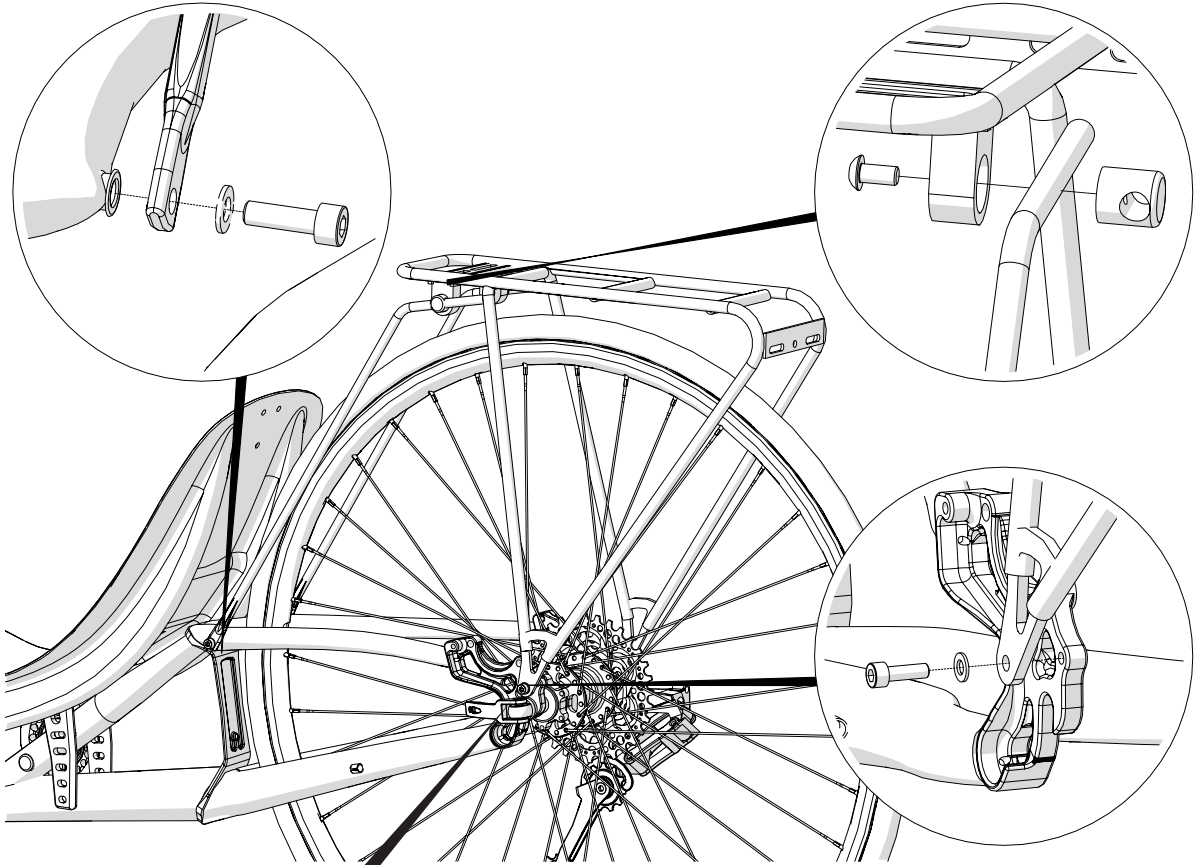
VTX Rack

Fitting Instructions

Tools



3mm
4mm



=

